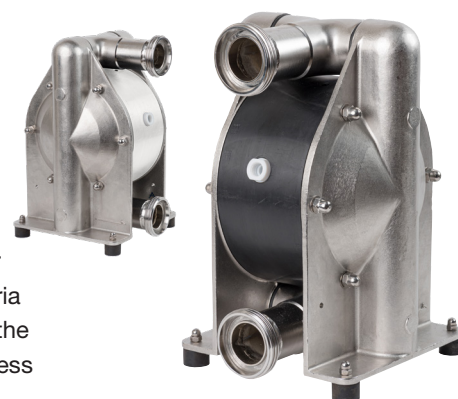


VERDERAIR HC-PURE FD SERIES

VA-HCP50



The Verderair HC-PURE series of hygienic double diaphragm pumps is designed for various hygienic applications. The electropolished surfaces reduce the risk of bacteria traps and contamination. The pumps are manufactured from SS 316L according to the highest hygienic design standards. Easy maintenance and a long lifetime results in less downtime for your production process.

Your benefits

- Electropolished
- Easy maintenance
- Solid machined centre block made from PE/Polyamide
- PTFE/EPDM overmolded diaphragms
- Maintenance free air valve

Technical data		Measurements
Max. flow rate (l/min)		465
Nominal port size	DIN 11851 Tri-clamp	DN65 2,5" (ASME BPE)
Air inlet	BSPT	R 1/2"
Weight (kg)	PA6 PE-Cond.	58 56
Suctionlift dry (mwc)	EPDM valves PTFE valves	3 2
Suction lift wet (mwc)		9
Max. operating pressure (bar)		7
Max. operating temperature (°C)	PA6 PE-Cond.	120 80
Min. operating temperature (°C)		-20
Max. viscosity (mPas)		20000
Theoretical displacement volume (single stroke) (l)		2,6
Max. particle size of solids (mm)		16

Code VA-HCP50 No.1 No.2 No.3 No.4 No.5 No.6		
<p>No. 1 Housing & Center Section SN : SS AISI 316L & Polyamide (PA6) Ex SG : SS AISI 316L & Conductive polyethylene (PE-Cond.)</p> <p>No. 2 Seats & o-rings ST : SS AISI 316L & PTFE SE : SS AISI 316L & EPDM FDA</p> <p>No. 3 Valve ball EP : EPDM TF : PTFE</p>	<p>No. 4 Diaphragm TO : PTFE Overmolded EO : EPDM Overmolded</p> <p>No. 5 Connection D6 : DN65 DIN 11851 T6 : Tri-clamp 2,5" (ASME BPE)</p>	<p>No. 6 Options FD: Food grade 00: Industrial SS: Stroke sensor RE: Remote DM: Draining manual BS: Barrier system, sensors only LS: Leak detection, sensor only</p>

NOTE not all combinations are available
 Ex II 2G/2GD Ex h IIC/IIIC T70°C Gb/Gb Db

EXAMPLE PUMP TYPE
VA-HCP50 SG ST TF TO D6 FD

VERDERAIR HC-PURE FD SERIES

VA-HCP50

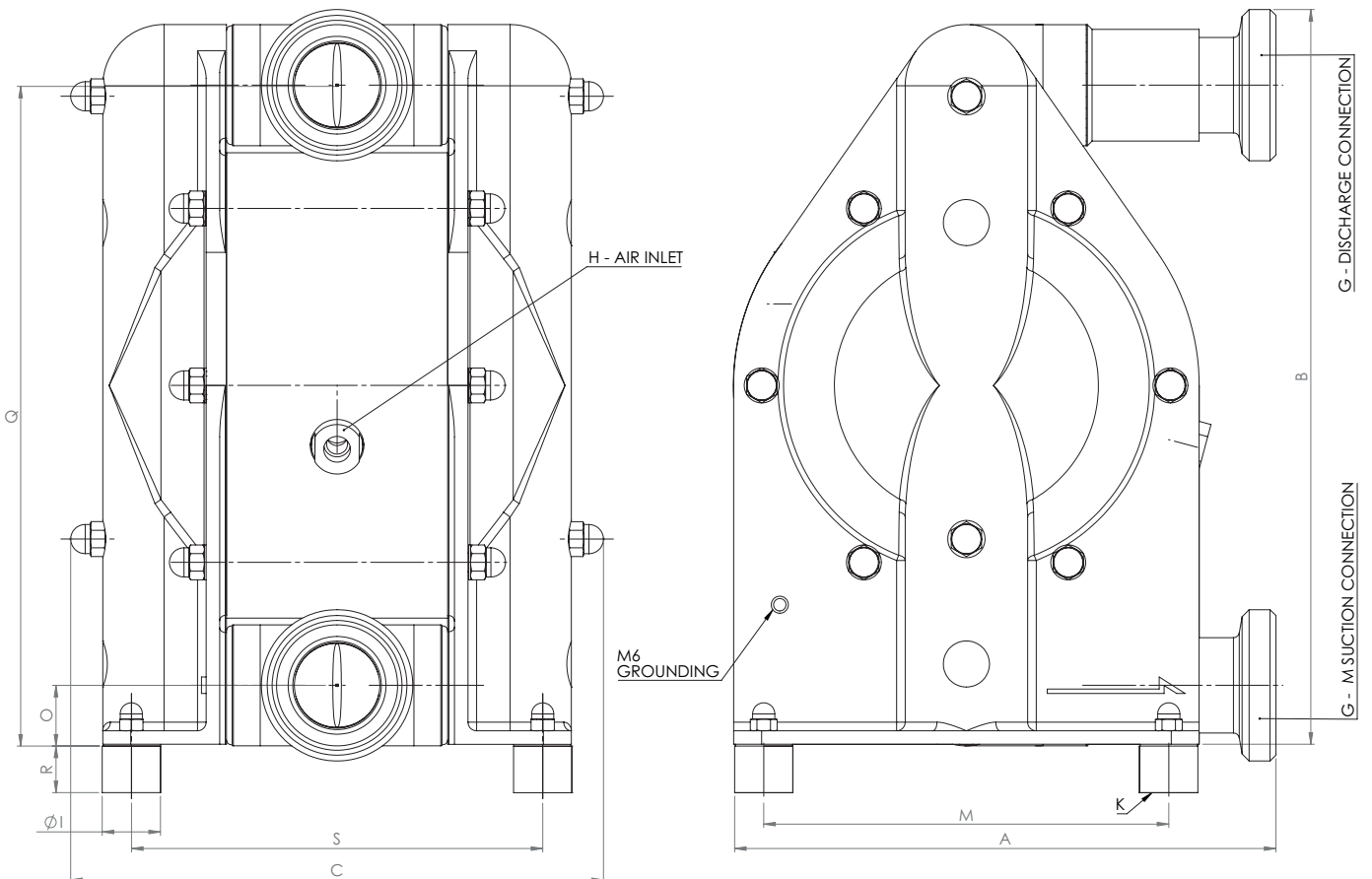


Dimensions

HC-PURE50 FD

TYPE	A	B	C	G	H	I	K	M	O	Q	R	S
HCP50 DIN	390	537	369	DN65	R1/2	40	M8	309	46	490	30	305
HCP50 TC	381	535	369	2 1/2"	R1/2	40	M8	309	46	490	30	305

Dimensions in mm



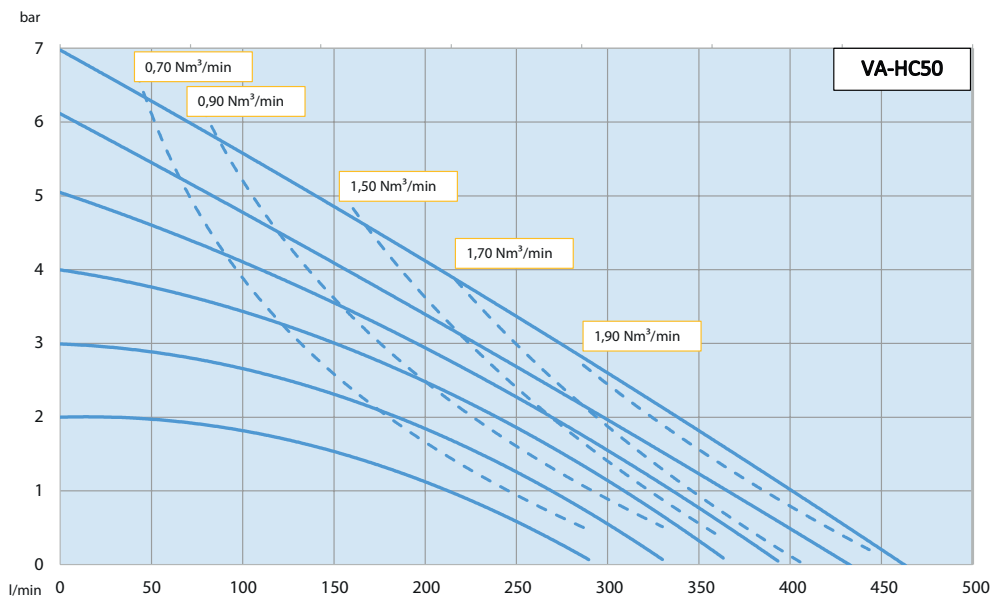
VERDERAIR HC-PURE FD SERIES

VA-HCP50

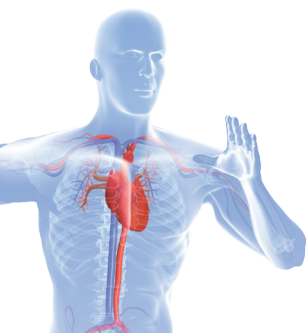


Performance charts

HC-PURE50 FD



Air consumption



Find your local supplier at www.verderliquids.com

For construction, installation and floor mounting drawings please contact your local authorised Verderair® distributor.